



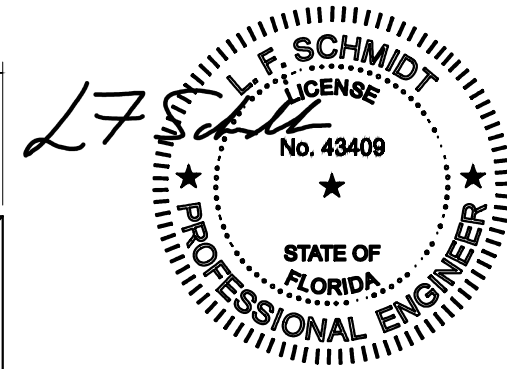
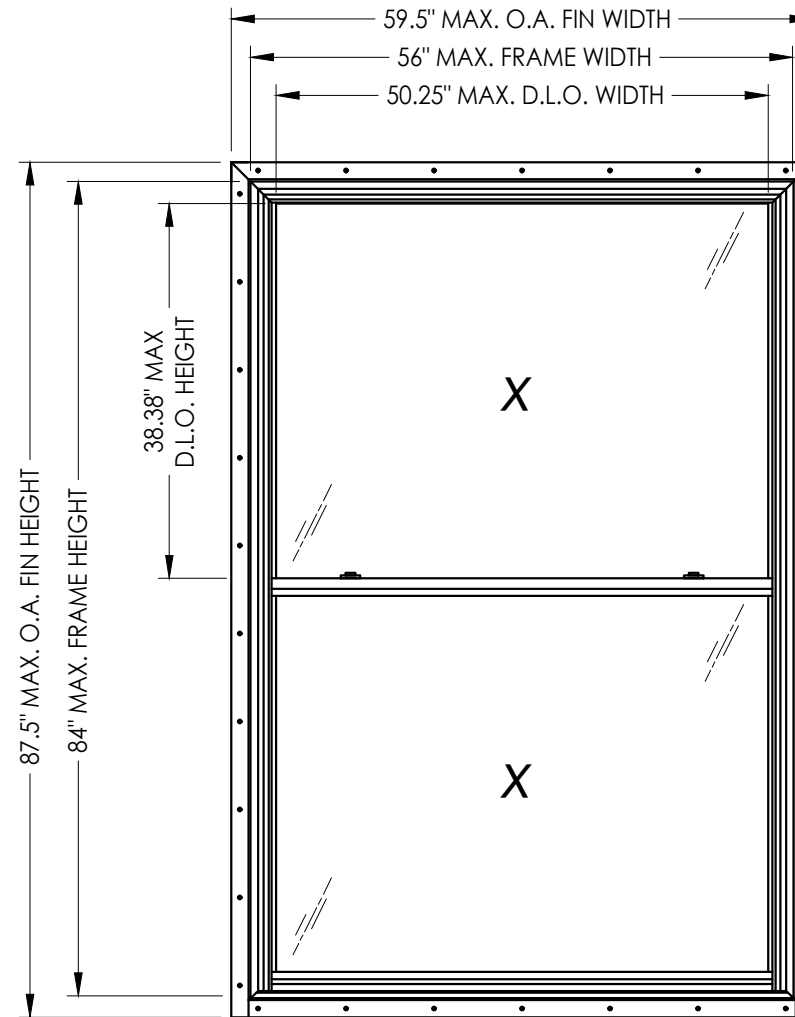
250 Staunton Turnpike, Parkersburg, WV 26104

500 Series Vinyl Double Hung Window w/ Nailing Fin "NON-IMPACT"

GENERAL NOTES

- This product has been evaluated and is in compliance with the 8th Edition (2023) Florida Building Code (FBC) structural requirements excluding the "High Velocity Hurricane Zone" (HVHZ).
- Product anchors shall be as listed and spaced as shown on details. Anchor embedment to base material shall be beyond wall dressing or stucco.
- When used in areas requiring wind borne debris protection this product is required to be protected with an impact resistant covering that complies with FBC Sections 1609.1.2 & R301.2.1.2.
- Site conditions that deviate from the details of this drawing require further engineering analysis by a licensed engineer or registered architect.

TABLE OF CONTENTS	
SHEET #	DESCRIPTION
1	Typical elevations, design pressures and general notes
2	Horizontal & vertical cross sections
3	Horizontal & vertical cross sections
4	Buck and frame anchoring
5	Components
6	Bill of materials & glazing details



This item has been digitally signed and sealed by L. F. Schmidt, P.E. on the date adjacent to the seal. Printed copies of this document are not considered signed and sealed and the signature must be verified on any electronic copies.

THIS PRODUCT APPROVAL IS VALID ONLY FOR THE STATE OF FLORIDA

MAX. FRAME DIMENSION	MAX. D.L.O. DIMENSION	GLASS TYPE	REINFORCEMENT LOCATIONS	DESIGN PRESSURE (PSF)	
				POSITIVE	NEGATIVE
44.0" X 60.0"	38.25" X 26.38"	G1	None	+35.0	-35.0
32.0" X 78.0"	26.25" X 35.38"	G1	None	+45.0	-45.0
40.0" X 68.0"	34.25" X 30.38"	G2	None	+30.0	-30.0
44.0" X 72.0"	38.25" X 32.38"	G1	Mtg. Rail / Lock Rail	+30.0	-30.0
52.0" X 63.0"	46.25" X 27.88"	G1	Mtg. Rail / Lock Rail	+30.0	-30.0
36.0" X 72.0"	30.25" X 32.38"	G1	All Rails & Stiles	+45.0	-45.0
36.0" X 68.0"	30.25" X 30.38"	G1	All Rails & Stiles	+50.0	-50.0
38.0" X 59.0"	32.25" X 25.88"	G1	Mtg. Rail / Lock Rail	+50.0	-50.0
46.0" X 77.0"	40.25" X 34.88"	G1	All Rails & Stiles	+35.0	-35.0
56.0" X 84.0"	50.25" X 38.38"	G1	All Rails & Stiles	+15.0	-15.0

Documents Prepared By:
Lyndon F. Schmidt
P.E. No. 4-3409

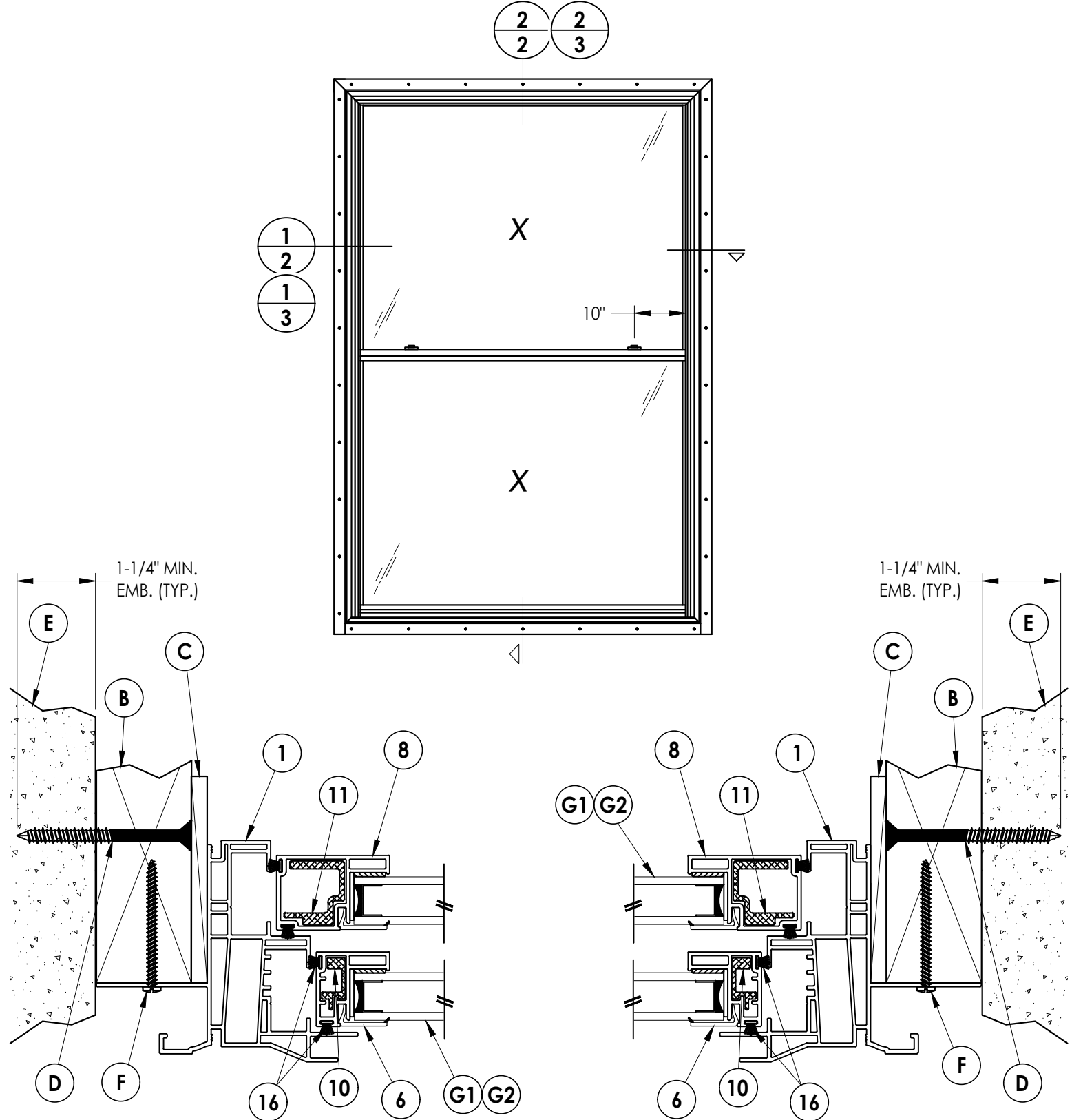
RW BUILDING CONSULTANTS, INC.
P.O. Box 230, Valrico, FL 33595
Phone No.: 813.659.9197
FBPE Registry No. 9813

PRODUCT: 500 SERIES Vinyl Double Hung Window
PART OR ASSEMBLY: TYPICAL ELEVATION, DESIGN PRESSURES & GENERAL NOTES

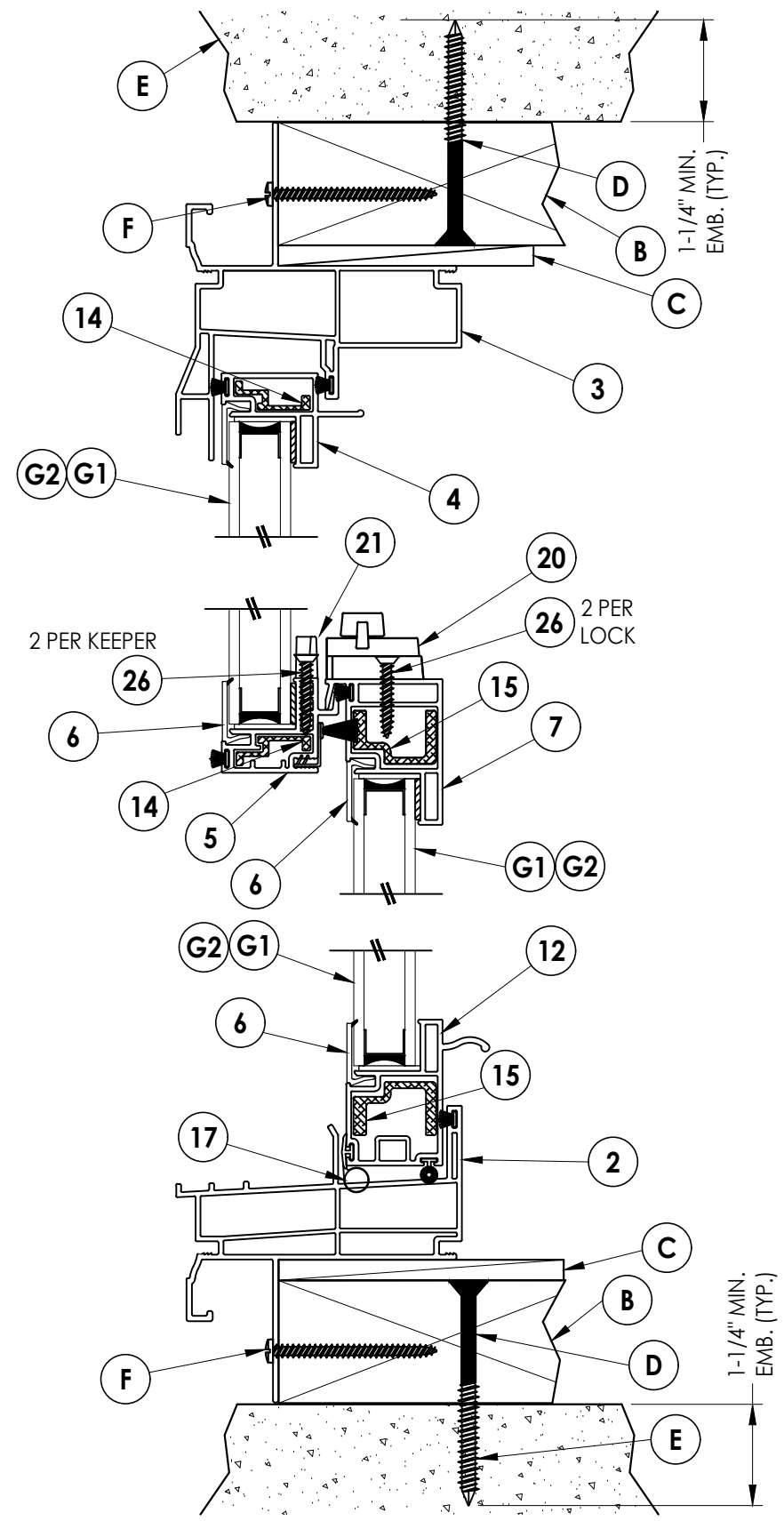
NO.	DATE	REVISIONS
5	7/06/23	UPDATE TO 8TH ED. (2023) FBC
4	7/02/20	UPDATE TO 7TH ED. (2020) FBC
3	6/01/17	UPDATE TO 6TH ED. (2017) FBC
2	2/09/16	ADD NEW FRAME SIZES
1	1/27/15	UPDATE TO 5TH ED. (2014) FBC

DATE: 7/1/13
SCALE: N.T.S.
DWG. BY: JK
CHK. BY: LFS
DRAWING NO.: FL-15819.5
SHEET 1 OF 6

Z:\2023 FBC Drawings\Wincore Window Company\FL-15819 R12\FL-15819.3-5.dwg



1 HORIZONTAL CROSS SECTION



2 VERTICAL CROSS SECTION

Documents Prepared By:
Lyndon F. Schmidt
P.E. No. 43409

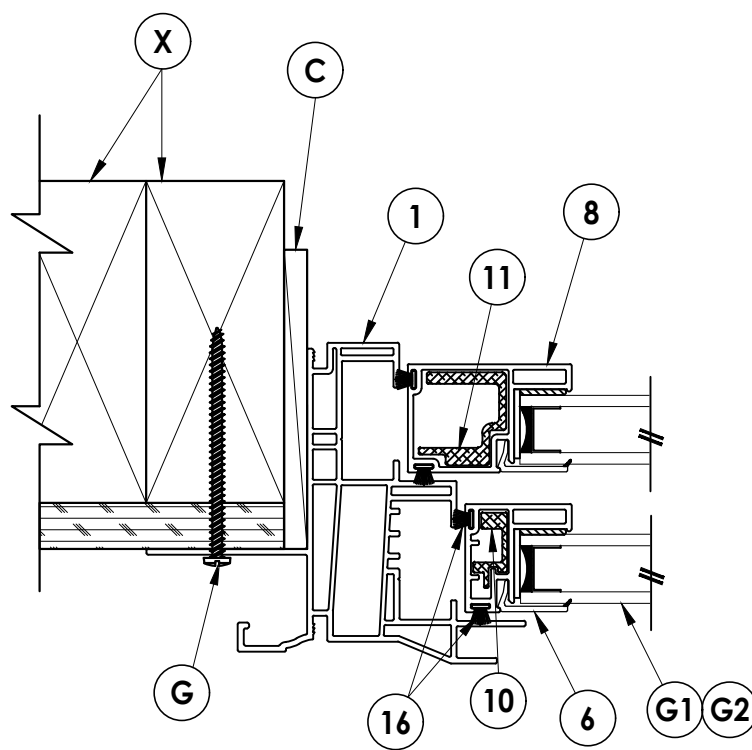
PRODUCT:
500 SERIES
Vinyl Double Hung Window

PART OR ASSEMBLY:
HORIZONTAL AND VERTICAL
CROSS SECTIONS

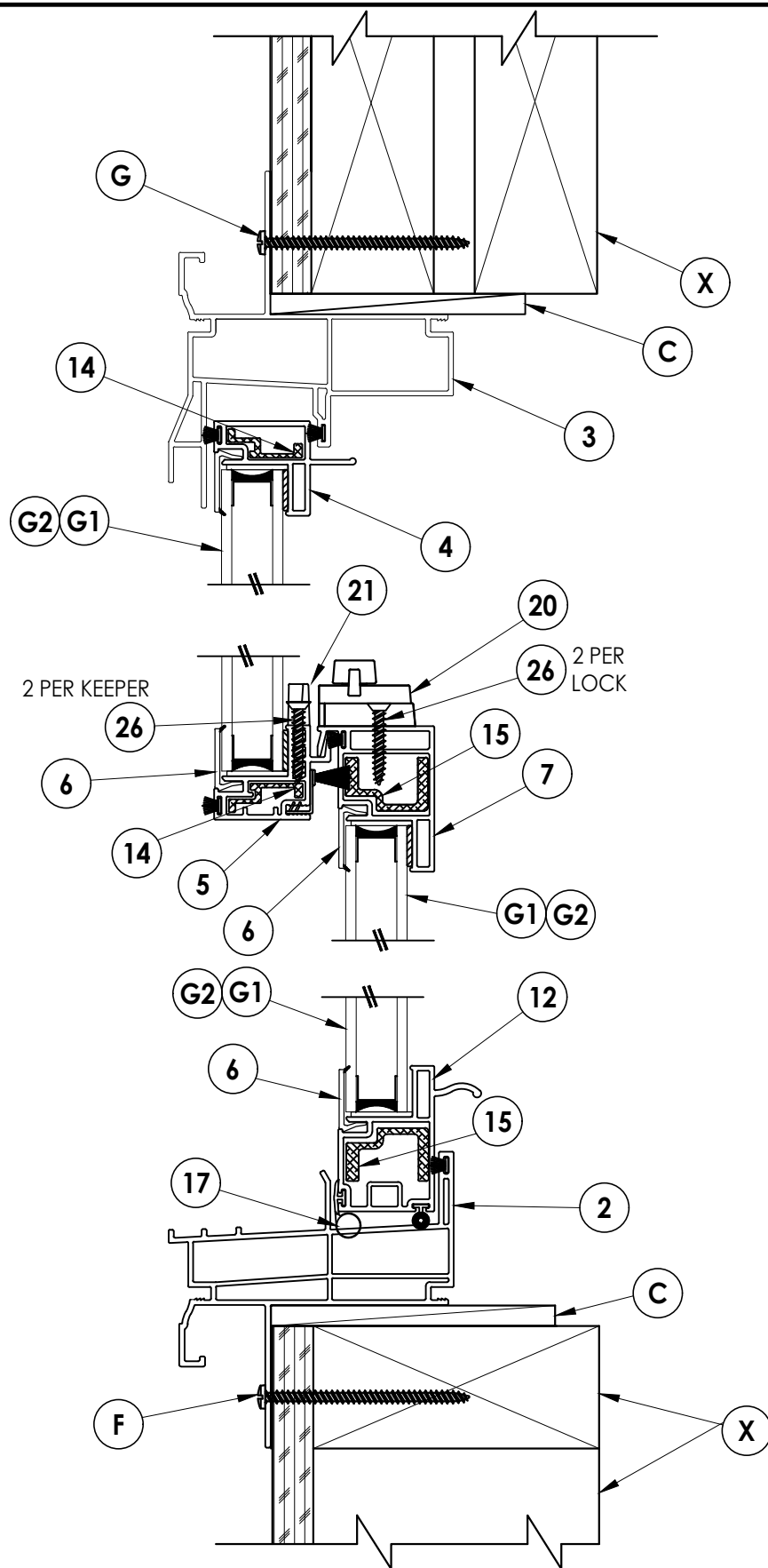
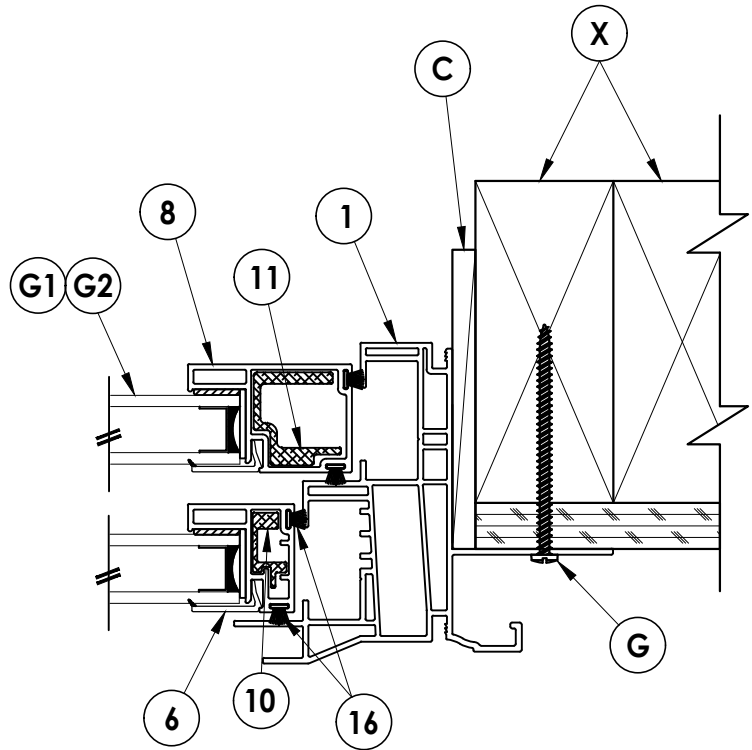
RW BUILDING CONSULTANTS, INC.
P.O. Box 230, Vairico, FL 33595
Phone No.: 813.659.9197
FBPE Registry No. 9813

NO.	DATE	REVISIONS
5	7/06/23	UPDATE TO 8TH ED. (2023) FBC LFS
4	7/02/20	UPDATE TO 7TH ED. (2020) FBC LFS
3	6/01/17	UPDATE TO 6TH ED. (2017) FBC LFS
2	2/09/16	ADD NEW FRAME SIZES LFS
1	1/27/15	UPDATE TO 5TH ED. (2014) FBC LFS

DATE: 7/1/13
SCALE: N.T.S.
DWG. BY: JK
CHK. BY: LFS
DRAWING NO.: FL-15819.5
SHEET 2 OF 6



1 HORIZONTAL CROSS SECTION
3 Stud Construction



2 VERTICAL CROSS SECTION
3 Stud Construction

Documents Prepared By:
 Lyndon F. Schmidt
 P.E. No. 43409

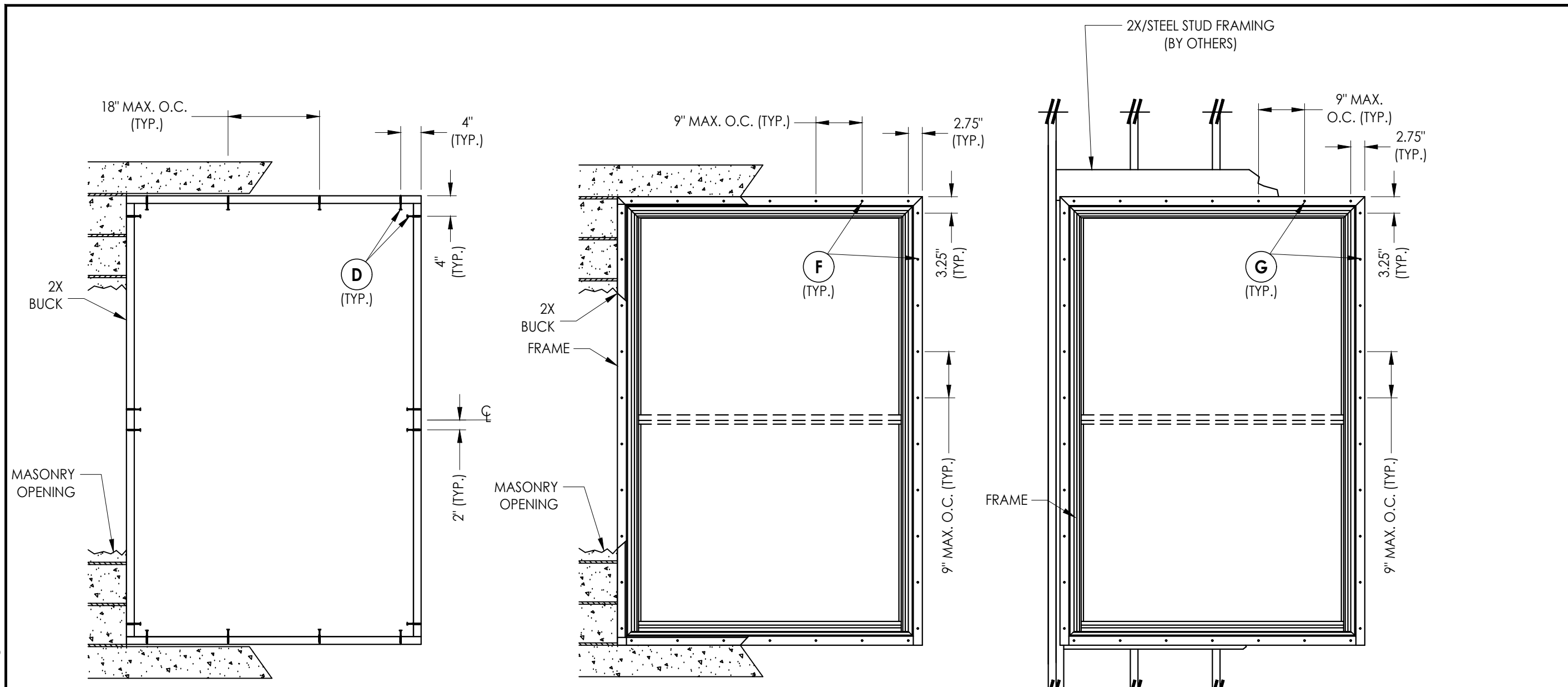
RW BUILDING CONSULTANTS, INC.
 P.O. Box 230, Valrico, FL 33595
 Phone No.: 813.659.9197
 FBPE Registry No. 9813

PRODUCT: 500 SERIES Vinyl Double Hung Window

PART OR ASSEMBLY: HORIZONTAL AND VERTICAL CROSS SECTIONS

NO.	DATE	REVISIONS
5	7/06/23	UPDATE TO 8TH ED. (2023) FBC LFS
4	7/02/20	UPDATE TO 7TH ED. (2020) FBC LFS
3	6/01/17	UPDATE TO 6TH ED. (2017) FBC LFS
2	2/09/16	ADD NEW FRAME SIZES LFS
1	1/27/15	UPDATE TO 5TH ED. (2014) FBC LFS
		BY

DATE: 7/1/13
 SCALE: N.T.S.
 DWG. BY: JK
 CHK. BY: LFS
 DRAWING NO.: FL-15819.5
 SHEET 3 OF 6



BUCK ANCHORING

FRAME ANCHORING

FRAME ANCHORING

CONCRETE ANCHOR NOTES:

1. Concrete anchor locations at the corners may be adjusted to maintain the min. edge distance to mortar joints.
2. Concrete anchor locations noted as "MAX. ON CENTER" must be adjusted to maintain the min. edge distance to mortar joints, additional concrete anchors may be required to ensure the "MAX. ON CENTER" dimensions are not exceeded.
3. Concrete anchor table:

ANCHOR TYPE	ANCHOR SIZE	MIN. EMBEDMENT	MIN. CLEARANCE TO MASONRY EDGE	MIN. CLEARANCE TO ADJACENT ANCHOR
ITW TAPCON®	1/4"	1-1/4"	2"	4"
DeWALT ULTRACON+®	1/4"	1-1/4"	1"	4"

WOOD SCREW INSTALLATION NOTES:

1. Maintain a minimum 5/8" edge distance, 1" end distance, & 1" o.c. spacing of wood screws to prevent the splitting of wood.

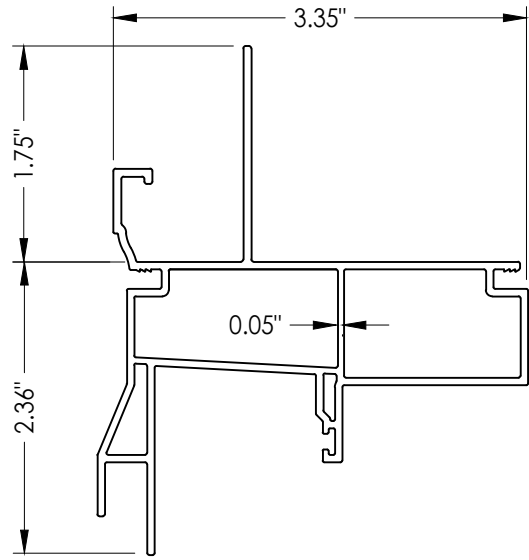
Documents Prepared By:
Lyndon F. Schmidt
P.E. No. 43409

RW BUILDING CONSULTANTS, INC.
P.O. Box 230, Valrico, FL 33595
Phone No.: 813.659.9197
FBPE Registry No. 9813

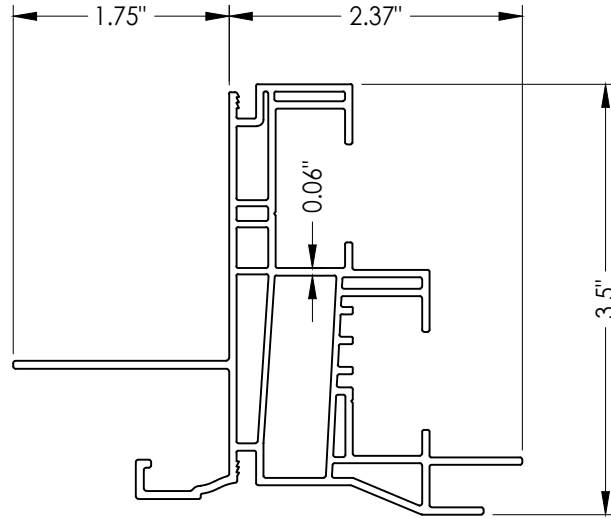
PRODUCT: 500 SERIES Vinyl Double Hung Window
PART OR ASSEMBLY: BUCK AND FRAME ANCHORING

NO.	DATE	DESCRIPTION	BY
5	7/06/23	UPDATE TO 8TH ED. (2023) FBC	LFS
4	7/02/20	UPDATE TO 7TH ED. (2020) FBC	LFS
3	6/01/17	UPDATE TO 6TH ED. (2017) FBC	LFS
2	2/09/16	ADD NEW FRAME SIZES	LFS
1	1/27/15	UPDATE TO 5TH ED. (2014) FBC	LFS
		REVISIONS	

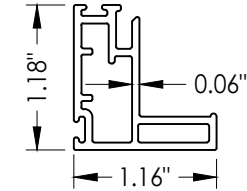
DATE: 7/1/13
SCALE: N.T.S.
DWG. BY: JK
CHK. BY: LFS
DRAWING NO.: FL-15819.5
SHEET 4 OF 6



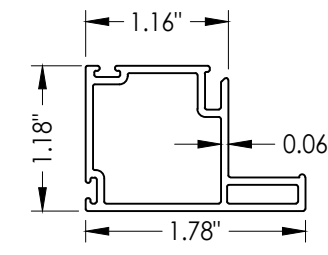
3 FRAME HEAD



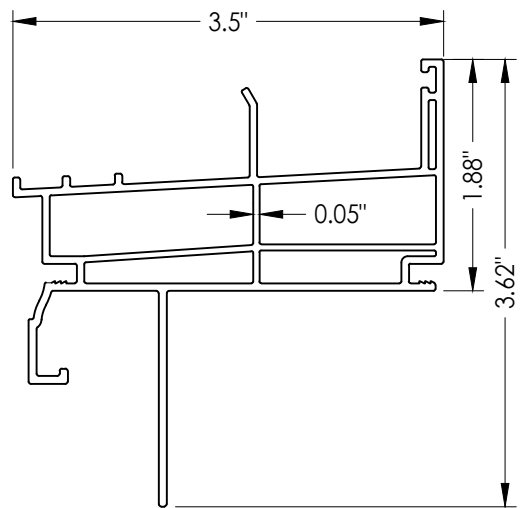
1 FRAME JAMB



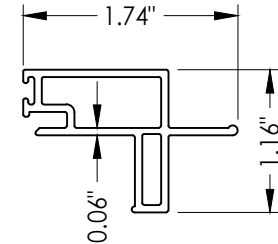
9 UPPER SASH STILE



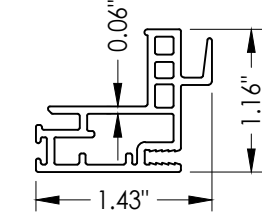
8 LOWER SASH STILE



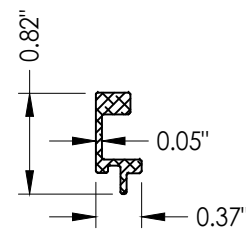
2 FRAME SILL



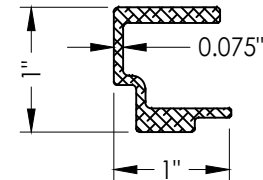
4 TOP RAIL
Upper Sash



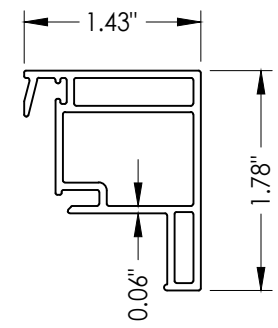
5 KEEPER RAIL
Upper Sash



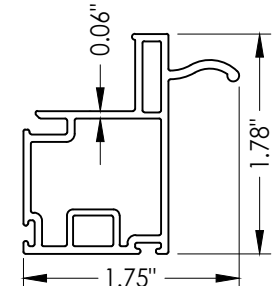
10 REINFORCEMENT
Alum.



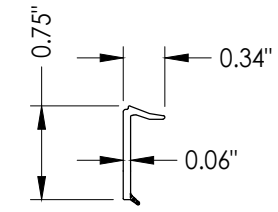
11 REINFORCEMENT
Alum.



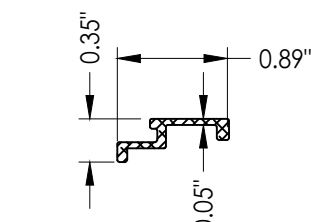
7 LOCK RAIL
Lower Sash



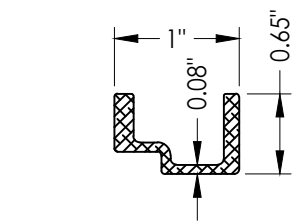
12 BOTTOM RAIL
Lower Sash



6 GLAZING BEAD



14 REINFORCEMENT
Alum.



15 REINFORCEMENT
Alum.

Documents Prepared By:
Lyndon F. Schmidt
P.E. No. 43409

RW BUILDING CONSULTANTS, INC.
P.O. Box 230, Valrico, FL 33595
Phone No.: 813.659.9197
FBPE Registry No. 9813

PRODUCT:
500 SERIES
Vinyl Double Hung Window

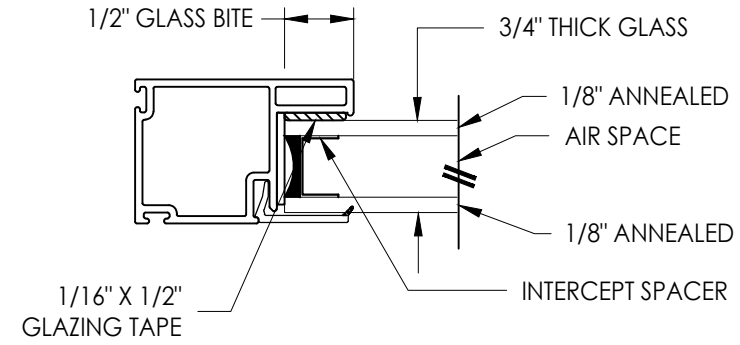
PART OR ASSEMBLY:
COMPONENTS

NO.	DATE	REVISIONS	BY
5	7/06/23	UPDATE TO 8TH ED. (2023)	FBC LFS
4	7/02/20	UPDATE TO 7TH ED. (2020)	FBC LFS
3	6/01/17	UPDATE TO 6TH ED. (2017)	FBC LFS
2	2/09/16	ADD NEW FRAME SIZES	FBC LFS
1	1/27/15	UPDATE TO 5TH ED. (2014)	FBC LFS

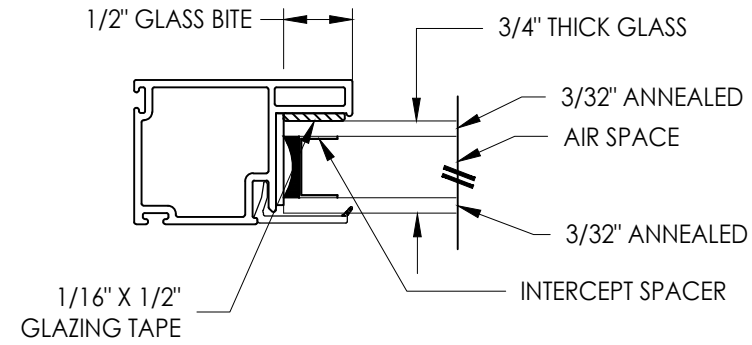
DATE: 7/1/13
SCALE: N.T.S.
DWG. BY: JK
CHK. BY: LFS
DRAWING NO.: FL-15819.5
SHEET 5 OF 6

BILL OF MATERIALS		
ITEM #	DESCRIPTION	MATERIAL
B	2X BUCK (SG >= 0.42)	WOOD
C	1/4" MAX. SHIM SPACE	-
D	1/4" X 2-3/4" PFH DeWALT OR ITW CONCRETE SCREW	STEEL
E	MASONRY - 3,000 PSI MIN. CONCRETE CONFORMING TO ACI 301 OR HOLLOW BLOCK CONFORMING TO ASTM C90	CONCRETE
F	#8 X 2" PPH WOOD SCREW (1-3/4" MIN. EMBEDMENT)	STEEL
G	#8 X 2-1/2" PPH WOOD SCREW (2-1/4" MIN. EMBEDMENT)	STEEL
X	2X FRAMING (SG => 0.42)	WOOD
1	FRAME JAMB*	PVC
2	SILL*	PVC
3	FRAME HEAD*	PVC
4	TOP RAIL UPPER SASH*	PVC
5	KEEPER RAIL UPPER SASH*	PVC
6	GLAZING BEAD*	PVC
7	LOCK RAIL LOWER SASH*	PVC
8	LOWER SASH STILE*	PVC
10	REINFORCEMENT (6063-T6 ALUM)	STEEL
11	REINFORCEMENT (6063-T6 ALUM)	STEEL
12	BOTTOM RAIL LOWER SASH*	PVC
14	REINFORCEMENT (6063-T6 ALUM)	ALUM
15	REINFORCEMENT (6063-T6 ALUM)	ALUM
16	WEATHERSTRIP ULTRA FAB .270 PILE - 270 -1875B	-
17	WEATHERSTRIP SILLBULB (AMESBURY 32690)	-
20	LOCK	-
21	KEEPER	-
26	#8 X 1" TEK SCREW	STEEL

* THE APPROVED WHITE RIGID PVC EXTERIOR EXTRUSIONS FOR WINDOWS ARE TO BE PRODUCED BY EXTRUDERS LICENSEES IN "AAMA CERTIFICATION PROGRAMS FOR RIGID PVC EXTRUSIONS".



G1 GLAZING DETAIL



G2 GLAZING DETAIL

Documents Prepared By:
Lyndon F. Schmidt
P.E. No. 43409

RW BUILDING CONSULTANTS, INC.
P.O. Box 230, Valrico, FL 33595
Phone No.: 813.659.9197
FBPE Registry No. 9813

PRODUCT: 500 SERIES Vinyl Double Hung Window
PART OR ASSEMBLY: BILL OF MATERIALS & GLAZING DETAILS

NO.	DATE	REVISIONS
5	7/06/23	UPDATE TO 8TH ED. (2023) FBC LFS
4	7/02/20	UPDATE TO 7TH ED. (2020) FBC LFS
3	6/01/17	UPDATE TO 6TH ED. (2017) FBC LFS
2	2/09/16	ADD NEW FRAME SIZES LFS
1	1/27/15	UPDATE TO 5TH ED. (2014) FBC LFS
		BY

DATE: 7/1/13

SCALE: N.T.S.

DWG. BY: JK

CHK. BY: LFS

DRAWING NO.:

FL-15819.5

SHEET 6 OF 6